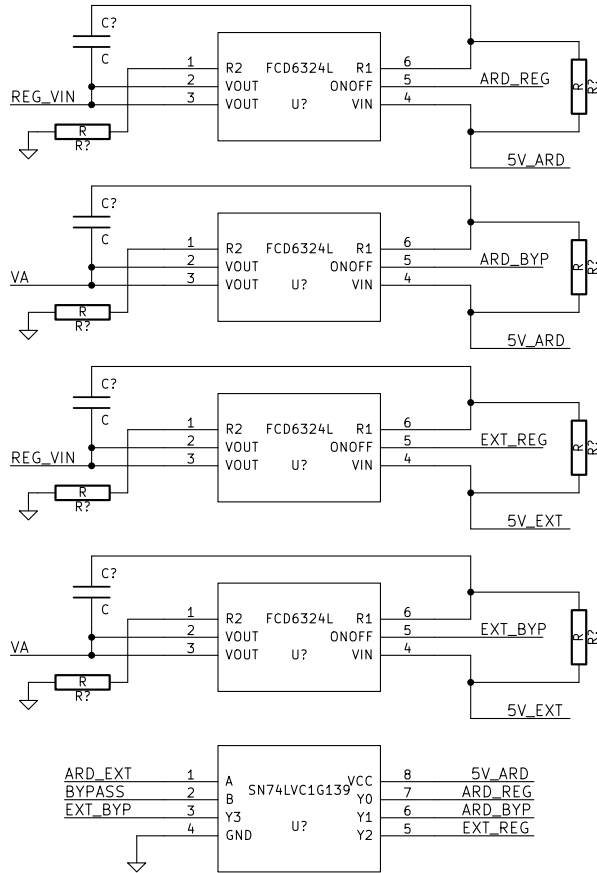
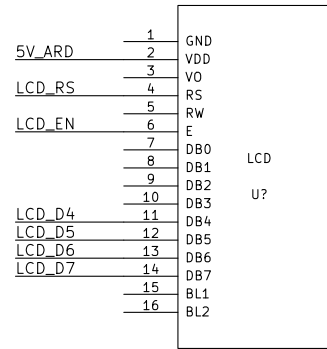


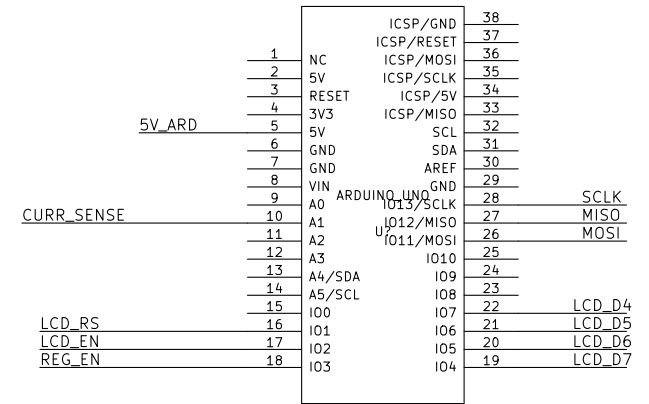
### Input Power Switches



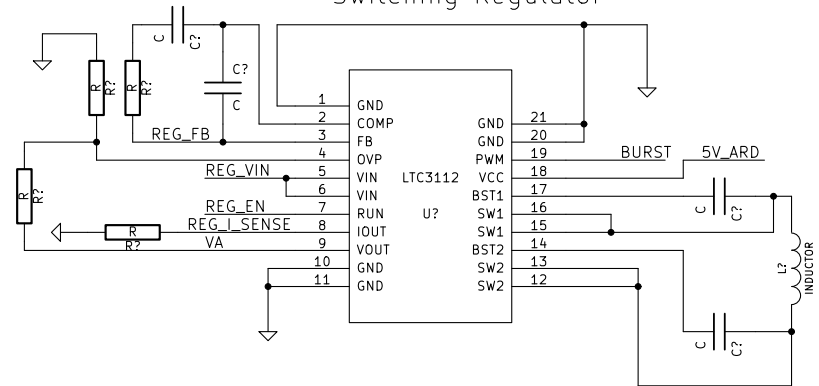
### LCD Screen



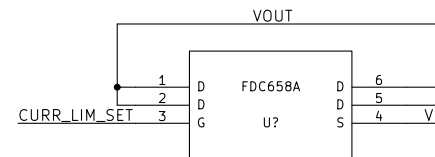
### Arduino Shield



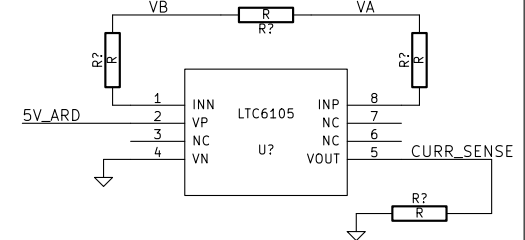
### Switching Regulator



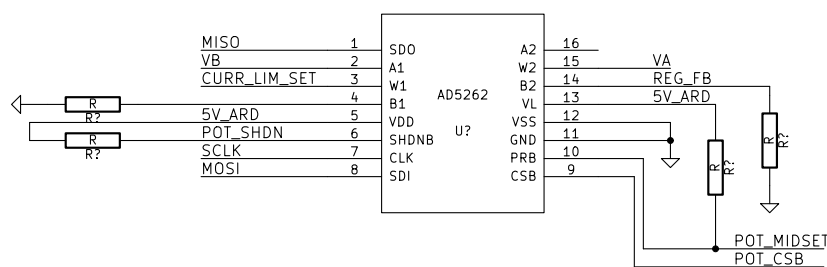
### Current Limiter



### Current Sense



### Digital Pots



File: usb\_power.sch

Sheet: /

Title:

Size: A4

Date: 1 jun 2014

KiCad E.D.A.

Rev:

Id: 1/1